

LEASE/SALE OF DEVELOPMENT LAND AT BAYAN LEPAS INDUSTRIAL PARK

- 1) PDC is inviting offers from individuals and incorporated local and foreign companies to lease/purchase land for development at Bayan Lepas Industrial Park as follows :

LOT NO.	ACREAGE
14443, Mukim 12, DBD, Penang	1.0277

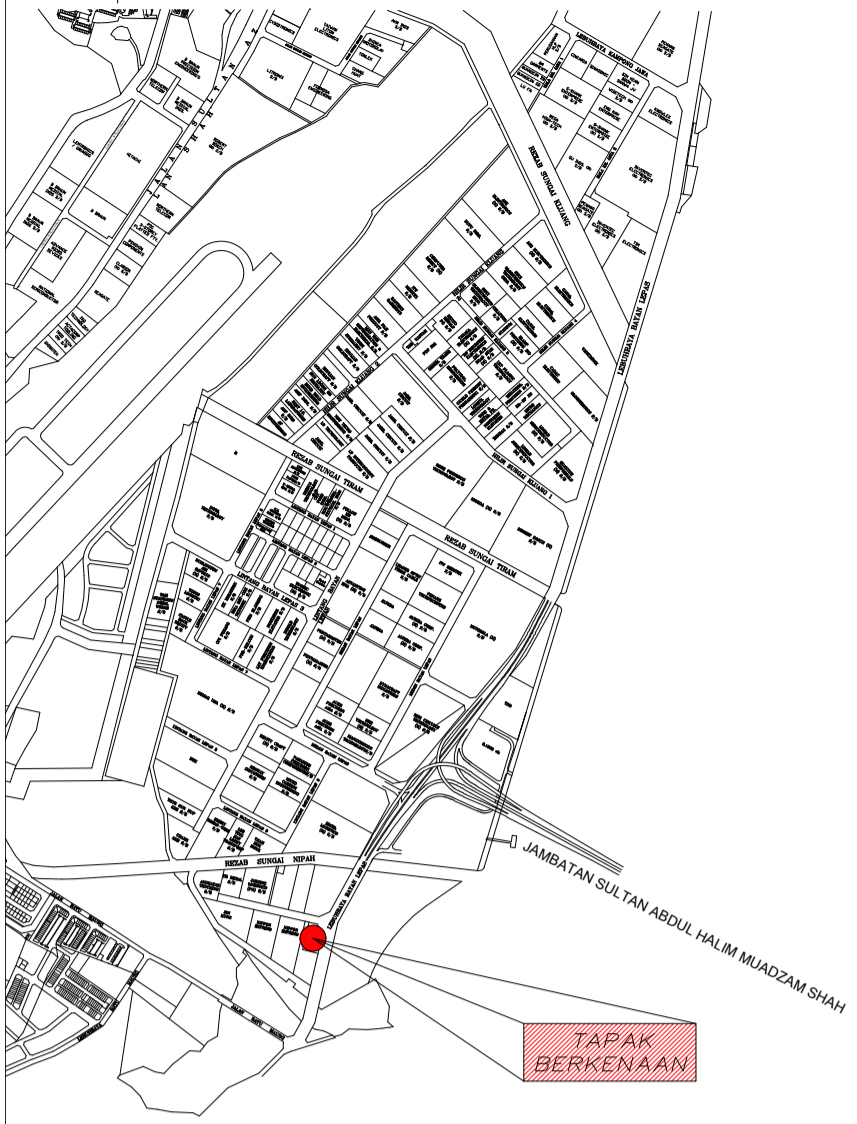
- 2) Your proposal to PDC shall includes :
- i. Lease/purchase price
 - ii. Payment Method
 - iii. Type of Development

And is to be submitted to :

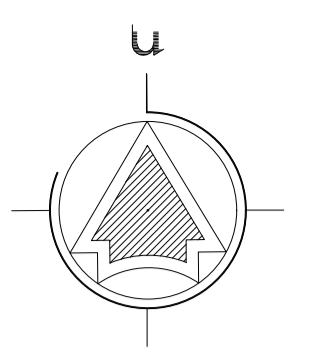
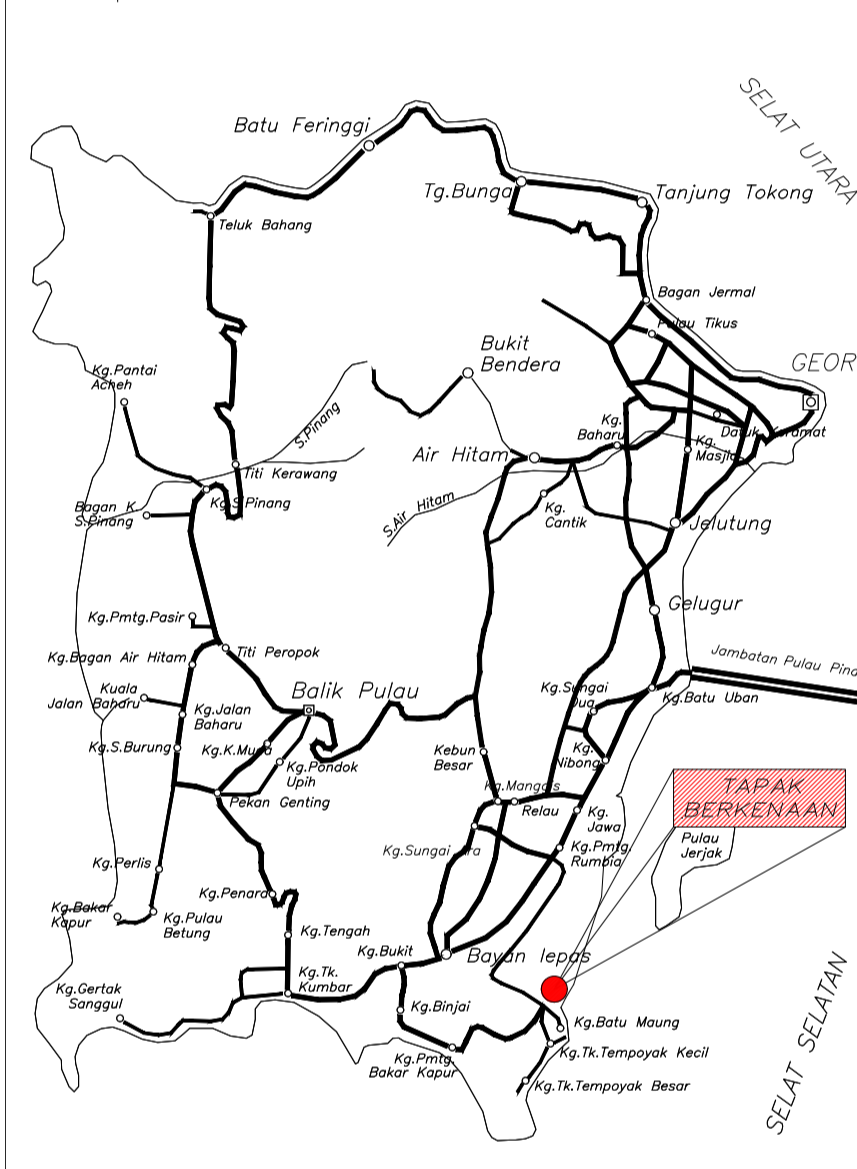
**Bahagian Perancangan Fizikal dan Pengurusan Tanah
Paras 4, Perbadanan Pembangunan Pulau Pinang
Bandar Bayan Baru
11909 Bayan Lepas
Pulau Pinang**

- 3) Any acceptance of proposal is subject to PDC's Board approval.
- 4) For any enquiries, please email to :
- i. Amran bin Ahmad : aa@pdc.gov.my ; or
 - ii. Saw Xian Ni : xianni@pdc.gov.my

Pelan Lokasi
TANPA SKALA



Pelan Kunci
TANPA SKALA

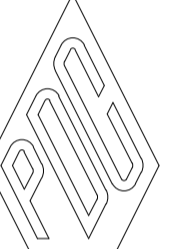


MUKIM 12
DAERAH BARAT DAYA
PULAU PINANG

Projek

KAWASAN KAWASAN PERINDUSTRIAN
DI BAYAN LEPAS
LOT 14443

Penyediaan Oleh :


BAHAGIAN PERANCANGAN FIZIKAL & PENGURUSAN TANAH
PERBADANAN PEMBANGUNAN PULAU PINANG

Jenis Pelan Ukur

PELAN DEMARKESYEN

NOTA :-

Di Perlukan Oleh :

BAHAGIAN PERINDUSTRIAN

Di Semak :

ABDUL HALIM BIN MOHD ALI
Penolong Jurukur JA36

Skala : 1:1500	Tarikh : 28/2/2019
Editing : MUHSIN	Diukur :

Lukisan Rujukan
Fail Acad NO : MP MISC/01/2019

No. Lukisan
PPPP/DBD/MISC01/2019/P2/01

15727
PA 82274

14639
PA 83303

14444
PA 80657

13908
PA 25446

13640
PA 25446

71817
PA 108543

12174
PA 25230

15013
PA 81195

15014
PA 81195

SOLOK BAYAN LEPAS

LEBUHRAYA TUN DR LIM CHONG EU

LONGKANG

